

SVS Eco valve plug A-18mm screw terminal3-pol. + PE, 0,5 - 1,5mm², 6 - 8mm

Form A (18 mm) for pressure switch

250 V AC/DC

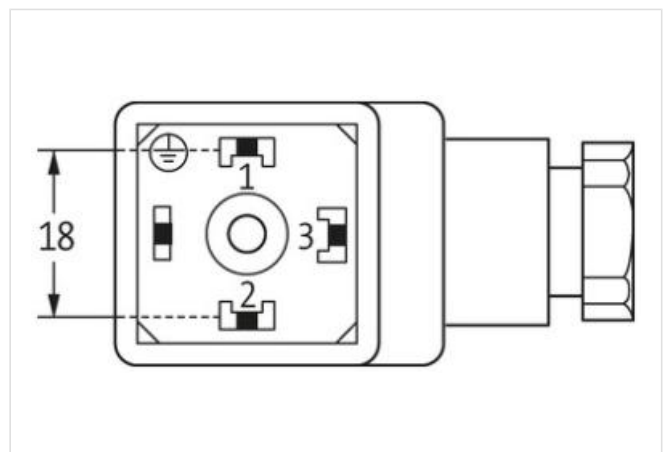
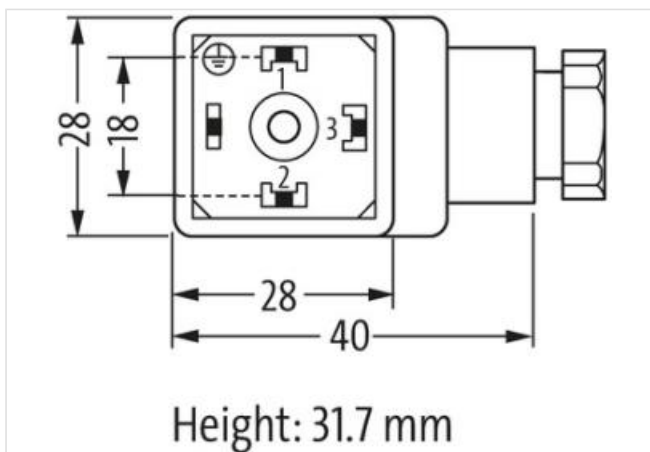
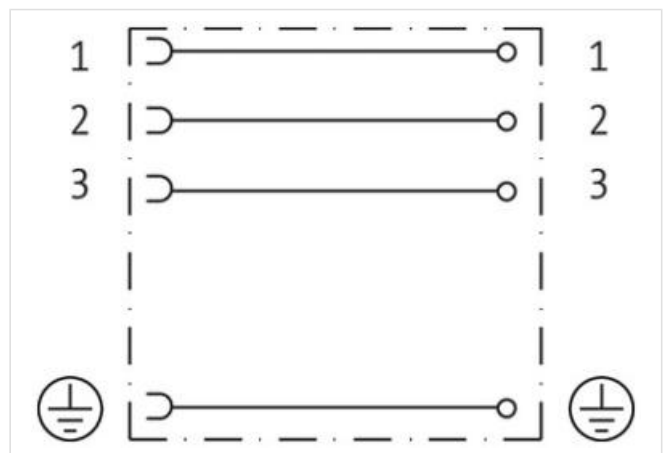
without components

metric

field-wireable

Plastic housings with good resistance against chemicals and oils.

The resistance to aggressive media should be individually tested for your application. Further details on request.

[Link to Product](#)**Illustration**

Product may differ from Image

**Form**

Form 29405

Technical Data

Operating voltage max. 250 V AC/DC

The information in this brochure has been compiled with the utmost care.

Liability for the correctness completeness and topicality of the information is restricted to gross negligence. Version: 2022-11-30

Murrelektronik GmbH | Falkenstr. 3 | 71570 Oppenweiler | Fon +49 (71 91) 47-0 | Fax +49 (71 91) 47-491000 | shop@murrelektronik.com | shop.murrelektronik.com

Operating current per contact	max. 10 A
Locking of ports	M3 (recommended torque 0.4 Nm)
Connection cross section	0.5...1.5 mm ²
Sealing range (cable Ø)	6...8 mm
Protection	IP65 inserted and tightened (EN 60529)
Compression gland	M16×1.5 mm
Tightening torque (clamp screw)	0.2 ±0.1 Nm
Configuration	3 contacts + PE

General data

Mounting method	inserted, tightened
Material (gasket)	NBR
Temperature range	-40...+90 °C
Housing	PA6 GF30: black

Product article number of manufacturer 7000-29405-0000000